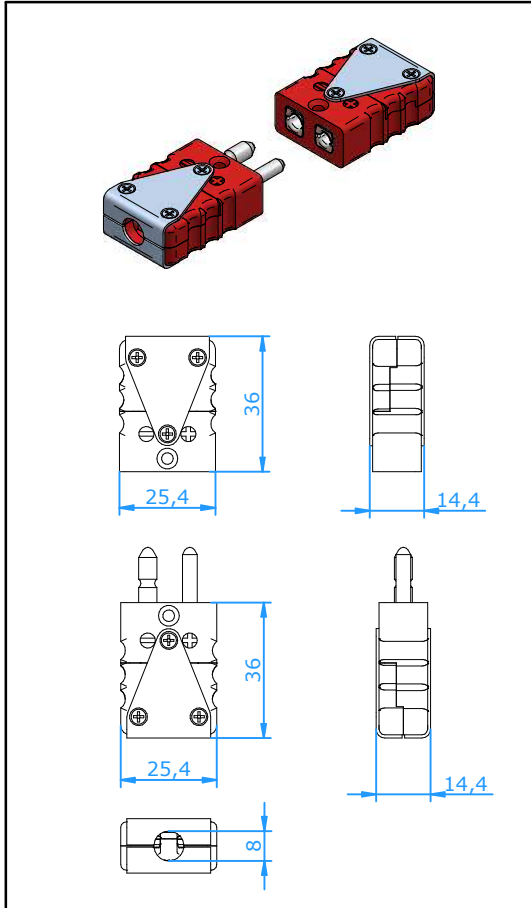




Connectors

Connector Standard Ultra High Temp



Application

Connector for thermocouple and RTD circuits. Plastic compound designed for use at elevated temperatures. Solid pin design ensures good contact even in demanding applications. Hollow pin design offers a good quality product at competitive pricing for less frequently used connectors.

Construction

- body of ultra high temp thermoset compound with original thermocouple material pins and springloaded inserts.
- Polarized pins ensure proper connection.
- Easy wire connection through sandwich construction.
- Molded barriers prevent short circuit.
- Rugged one body design.
- Stainless steel bracket and screws for usage in robust environment

Wire size

- Accepts wires up to 1,6 mm.
- Maximum cable diameter 8,0 mm.

Temperature rating

- 425 °C continuous, 540 °C intermittent

Color Code

- Color of the connector-body is red/brown, calibration indication stamped on the stainless steel top-bracket

Accessories:

- Stainless steel braze/crimp adaptors, tube adaptors, wire clamp bracket and U-Brackets are available, please see separate specification sheets or consult factory

Ordering Code **Plug Solid Pin** : **CSPU-x** x = Calibration Code (See table below)
Plug Hollow Pin : **CSPUL-x**
Jack : **CSJU-x**

Calibration Code	E	J	K	N	T	U	R/S	C	B
Compensation material for							Pt13Rh/ Pt	W5Re/ W26Re	Pt6Rh/ Pt30Rh
Material Positive	NiCr	Fe	NiCr	NiCrSi	Cu	Cu ¹⁾	Cu	CPX ²⁾	Cu ¹⁾
Material Negative	CuNi	CuNi	NiAl	NiSi	CuNi	Cu ¹⁾	Alloy #11	CNX ²⁾	Cu ¹⁾

Note: - Contacts with a hard nickel- or gold-plating are available, please add "NP" or "GP" after the calibration code
 - Type C connector plug is only available in a Solid pin version