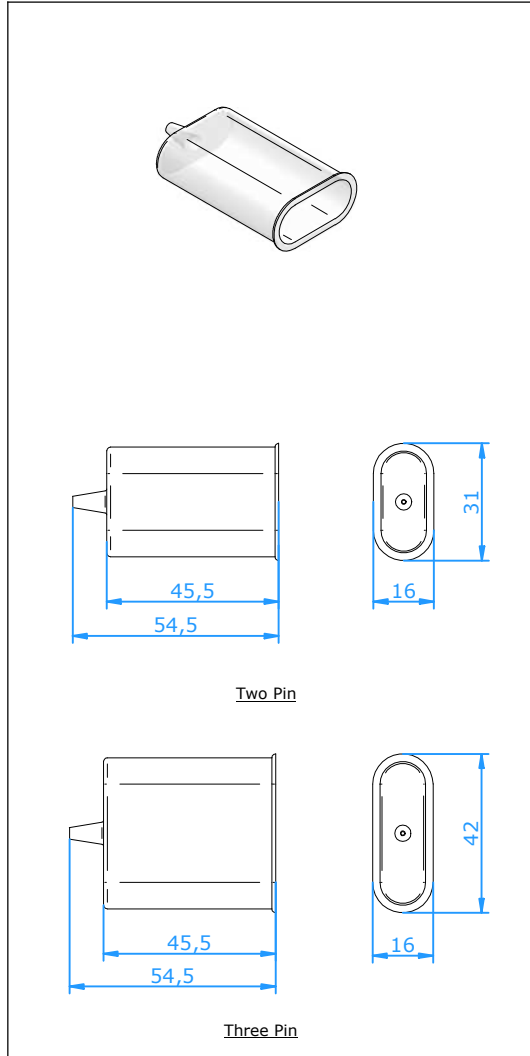




# Accessories

## Standard Connector Protection Boot



### Application

The two flexible silicone rubber boots will cover the connector set snugly and prevent moisture, water and dirt entering the connector.

### Temperature Rating

- 200 °C

### Construction

- Silicone cover with retention ring prevent disconnection due to vibration.
- Tapered entrance hole to ensure proper sealing on most cable diameters.

**Part Nr.** 20.061-1 Two pin connector  
20.061-2 Three pin connector

Note: for one set order 2 pcs