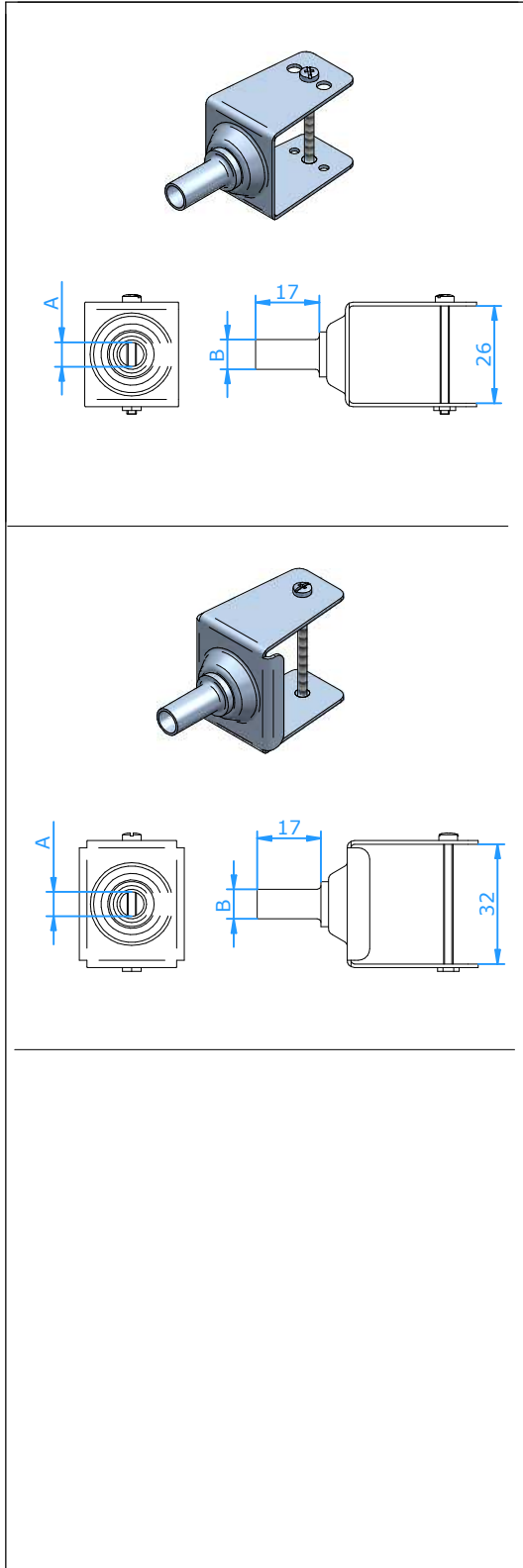




# Accessories

## Standard Connector U-Bracket Braze/Crimp



### Application

Allows the use of two standard connectors to be fitted on duplex mineral cable or duplex wire.

### Construction

Stainless steel crimp braze/crimp-tube (AISI-303 / DIN 1.4305) on stainless steel bracket.

### Standard Connector

Part Nr.	Dimension A	Dimension B
20.116-1	6,1	7,9
20.116-2	8,1	9,9
20.116-3	6,5	7,9
20.116-4	1,7	3,5
20.116-5	3,3	5,1
20.116-6	4,9	6,7
20.116-7	9,7	11,3

This bracket fits on all connectors CSP(L), CSJ, CSPH(L), CSJH, CSPU(L) and CSJU(L).

### Standard Connector Ceramic

Part Nr.	Dimension A	Dimension B
20.340-1	6,1	7,9
20.340-2	8,1	9,9
20.340-3	6,5	7,9

This bracket fits on all connectors CSPC(L), CSJC.