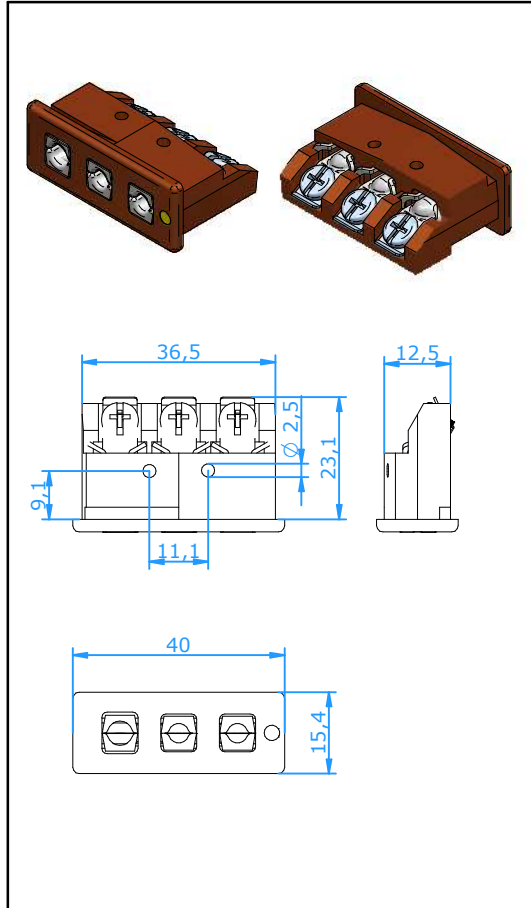




# Panels

## Panel Standard Insert Three Pin High Temperature



### Application

Panel insert for thermocouple and RTD circuits.  
Specially designed to be used together with **Hamitherm** high temperature stainless steel panels.

### Construction

- Thermosetting body with original thermocouple material pins and springloaded inserts.
- Polarized pins.
- Molded barriers prevent short circuit.
- Polarity indication next to connection screws.

### Wire size

- Accepts wires up to 1,6 mm.

### Temperature rating

- 350 °C Max.

### Color Code

- Color of the connector-body is brown, calibration indicated by colored dot.

### Accessories

- Should be used with Hamitherm stainless steel panels.

**Ordering Code :** PSITH-xx

For last two digits 'xx' see table below

|   |           |           |           |           |           |           |               |                |                  |
|---|-----------|-----------|-----------|-----------|-----------|-----------|---------------|----------------|------------------|
| Calibration Code                            | <b>E</b>  | <b>J</b>  | <b>K</b>  | <b>N</b>  | <b>T</b>  | <b>U</b>  | <b>R/S</b>    | <b>C</b>       | <b>B</b>         |
| Compensation material for Material Positive | NiCr      | Fe        | NiCr      | NiCrSi    | Cu        | Cu        | Pt13Rh/<br>Pt | W5Re/<br>W26Re | Pt6Rh/<br>Pt30Rh |
| Material Negative                           | CuNi      | CuNi      | NiAl      | NiSi      | CuNi      | Cu        | Alloy #11     | CPX<br>CNX     | Cu<br>Cu         |
| <b>IEC Color Code</b>                       |           |           |           |           |           |           |               |                |                  |
| Color Dot                                   | Violet    | Black     | Green     | Pink      | Brown     | White     | Orange        | Red            | Grey             |
| Code  | <b>EI</b> | <b>JI</b> | <b>KI</b> | <b>NI</b> | <b>TI</b> | <b>UI</b> | <b>RI</b>     | <b>C</b>       | <b>BI</b>        |
| <b>ANSI Color Code</b>                      |           |           |           |           |           |           |               |                |                  |
| Color Dot                                   | Violet    | Black     | Yellow    | Orange    | Blue      | White     | Green         | Red            | Grey             |
| Code  | <b>EI</b> | <b>JI</b> | <b>KA</b> | <b>NA</b> | <b>TA</b> | <b>UI</b> | <b>RA</b>     | <b>C</b>       | <b>BI</b>        |
| <b>DIN Color Code</b>                       |           |           |           |           |           |           |               |                |                  |
| Color Dot                                   |           | Blue      | Green     |           | Brown     |           | White         |                | Grey             |
| Code  |           | <b>JD</b> | <b>KI</b> |           | <b>TI</b> |           | <b>RD</b>     |                | <b>BI</b>        |