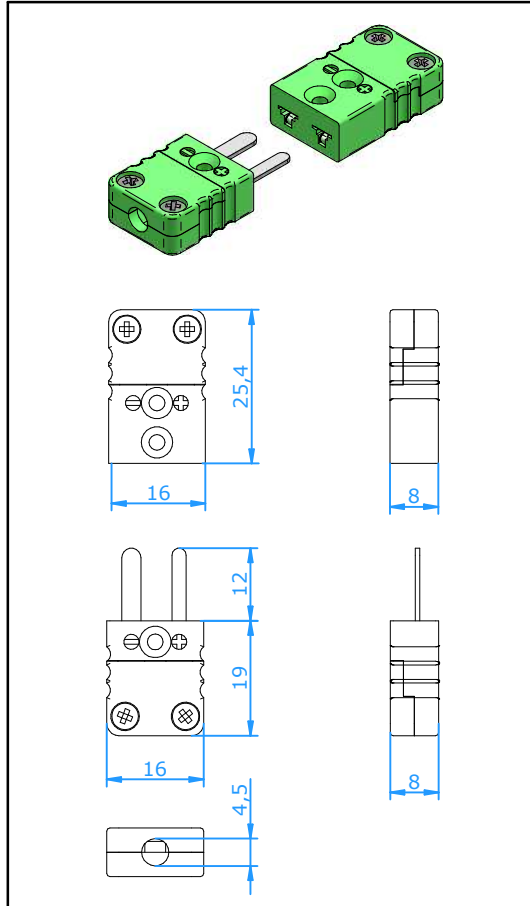




# Connectors

## Connector Miniature Economy



### Application

Connector for thermocouple circuits. Suited for small wires and mineral insulated cables. Especially designed for cost sensitive applications.

### Construction

- Glass filled Nylon body with original thermocouple material pins and springloaded inserts.
- Polarized pins ensure proper connection.
- Molded barriers prevent short circuit.
- Rugged one body design.
- Zinc plated steel screws with Phillips head

### Wire size

- Accepts wires up to 0,6 mm.
- Maximum cable diameter 4,5 mm.

### Temperature rating

- 180 °C Max.

### Color Code

- Available according to ANSI and IEC, see table below

### Accessories

- See separate specification sheet.

**Ordering Code Plug: CMPE-xx**  
**Jack: CMJE-xx**

For last two digits 'xx' see table below

Calibration Code	<b>J</b>	<b>K</b>	<b>N</b>	<b>T</b>	<b>R/S</b>
Compensation Material for Contact Material Positive	Fe	NiCr	NiCrSi	Cu	Pt13Rh/Pt
Contact Material Negative	CuNi	NiAl	NiSi	CuNi	Cu Alloy #11
<b>IEC Color Code</b>					
Color Body	Black	Green	Pink	Brown	Orange
Code	<b>JI</b>	<b>KI</b>	<b>NI</b>	<b>TI</b>	<b>RI</b>
<b>ANSI Color Code</b>					
Color Body	Black	Yellow	Pink	Blue	Green
Code	<b>JI</b>	<b>KA</b>	<b>NA</b>	<b>TA</b>	<b>RA</b>