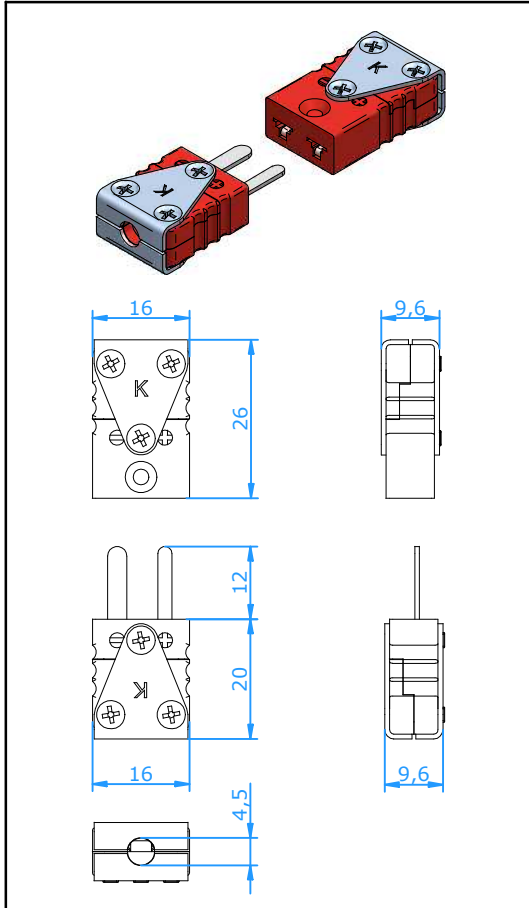




# Connectors

## Connector Miniature Ultra High Temperature



### Application

Connector for thermocouple and RTD circuits. Suited for small wires and mineral insulated cables. Plastic compound designed for use at elevated temperatures.

### Construction

- body of ultra high temp thermoset compound with original thermocouple material pins and springloaded inserts.
- Polarized pins ensure proper connection.
- Easy wire connection through sandwich construction.
- Molded barriers prevent short circuit.
- Rugged one body design.
- Stainless steel bracket and screws to increase strength of the connector body

### Wire size

- Accepts wires up to 0,6 mm.
- Maximum cable diameter 4,5 mm.

### Temperature rating

- 425 °C continuous, 540 °C intermittent

### Color Code

- Body color brown. Calibration indication stamped on the stainless steel top-bracket.

### Accessories

- See separate specification sheet.

**Ordering Code Plug: CMPU-x**  
**Jack: CMJU-x**

'x' is Calibration Code (see tabel below)

Calibration Code Compensation material for	E	J	K	N	T	U	R/S	C	B
							Pt13Rh/ Pt	W5Re/ W26Re	Pt6Rh/ Pt30Rh
Material Positive	NiCr	Fe	NiCr	NiCrSi	Cu	Cu <sup>1)</sup>	Cu	CPX	Cu <sup>1)</sup>
Material Negative	CuNi	CuNi	NiAl	NiSi	CuNi	Cu <sup>1)</sup>	Alloy #11	CNX	Cu <sup>1)</sup>

Note: Contacts with a hard nickel- or gold-plating are available, please add "NP" or "GP" after the calibration code