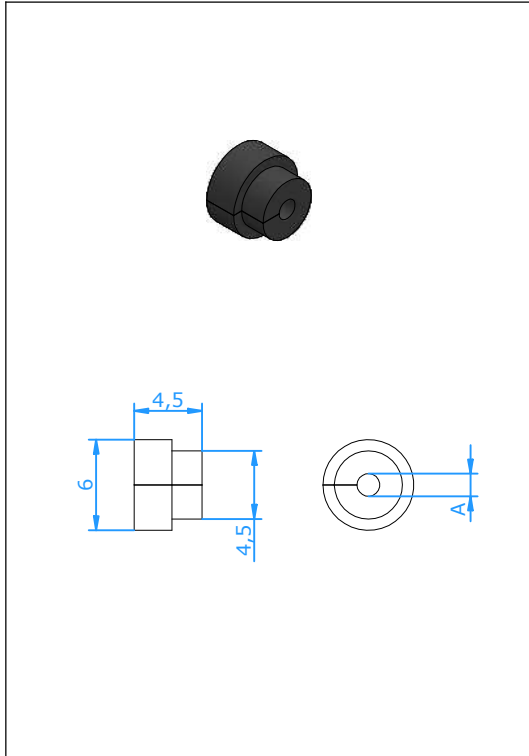




# Accessories

## Miniature Connector Grommet

**Application**

Grommet can be fitted in the entrance hole of the connector to prevent moisture and dirt from entering the connector. Has limited strain relief capabilities.

**Construction**

Silicone ring, slit for easy mounting over wire. Will compress on the wire when the cover is fitted.

**Temperature rating**

- 200 °C Max.

Part Nr.	A
20.031-1	3,00 mm
20.031-2	0,50 mm
20.031-3	1,50 mm