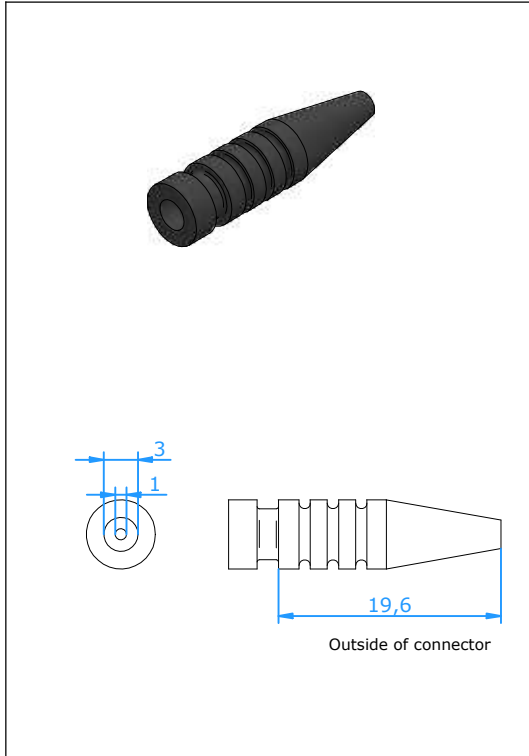




Accessories

Miniature Connector Bending Protection

**Application**

Bending protection for thermocouples and wire being used with miniature connectors. Prevents mechanical damage of wires at entrance point of the connector.

Construction

- Silicon rubber insert, tapered entrance hole ensures proper sealing on cable

Temperature Rating

- 200 °C

Part Nr. 20.293