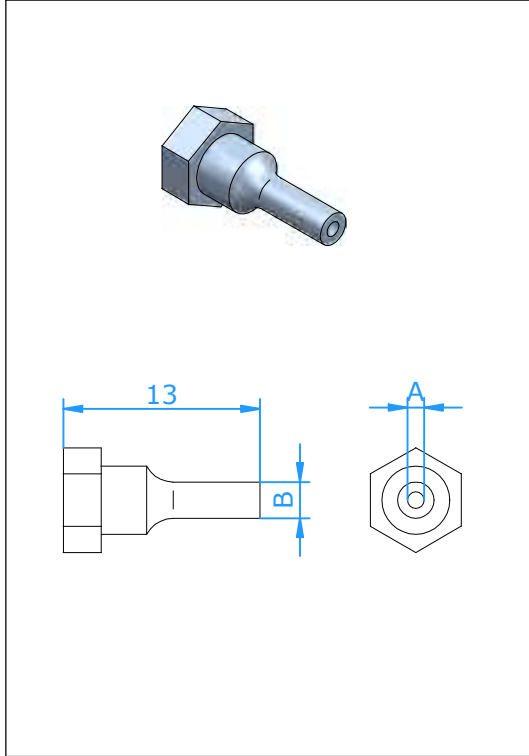




Accessories

Miniature Connector Braze/Crimp adapter



Application

Adapter can be fitted in the entrance hole of the connector to braze/crimp in mineral isolated cable.

Construction

Stainless steel adapter, AISI-303 / DIN-1.4305

The adapter fits in all miniature connectors.

Name	A	B
20.348-1	1,10 mm	2,40 mm
20.348-3	1,70 mm	2,40 mm
20.348-4	2,10 mm	3,20 mm
20.348-6	3,10 mm	4,50 mm
20.348-7	3,30 mm	4,50 mm