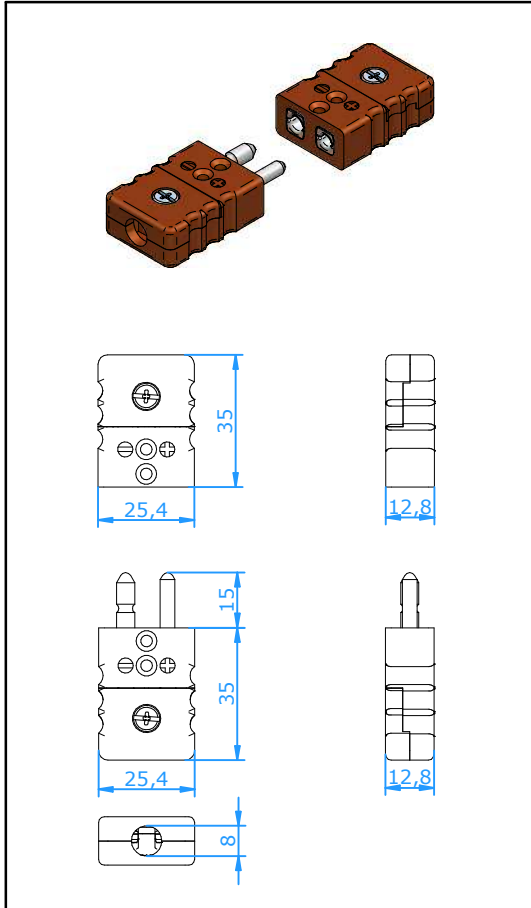




Connectors

Connector Standard High Temperature



Application

Connector for thermocouple and RTD circuits. Solid pin design ensures good contact even in demanding applications. Thermoset material designed for use at high temperatures. Hollow pin design offers a good quality product at competitive pricing for less frequently used connectors.

Construction

- body of thermoset material with original thermocouple material pins and springloaded inserts.
- Polarized pins ensure proper connection.
- Easy wire connection through sandwich construction.
- Molded barriers prevent short circuit.
- Rugged one body design.

Wire size

- Accepts wires up to 1,6 mm.
- Maximum cable diameter 8,0 mm.

Temperature rating

- 350 °C maximum

Color Code

- Color of the connector-body is brown, calibration indication printed on body

Accessories:

- Stainless steel braze/crimp adaptors, tube adaptors, wire clamp bracket and U-Brackets are available, please see separate specification sheets or consult factory

Ordering Code **Plug Solid Pin** : **CSPH-x**
Plug Hollow Pin: **CSPHL-x**
Jack : **CSJH-x**

x = Calibration Code (See table below)

Calibration Code	E	J	K	N	T	U	R/S	C	B
Compensation material for							Pt13Rh/ Pt	W5Re/ W26Re	Pt6Rh/ Pt30Rh
Material Positive	NiCr	Fe	NiCr	NiCrSi	Cu	Cu	Cu	CPX	Cu
Material Negative	CuNi	CuNi	NiAl	NiSi	CuNi	Cu	Alloy #11	CNX	Cu

Note: - Contacts with a hard nickel- or gold-plating are available, please add "NP" or "GP" after the calibration code
 - Type C connector plug is only available in a Solid pin version