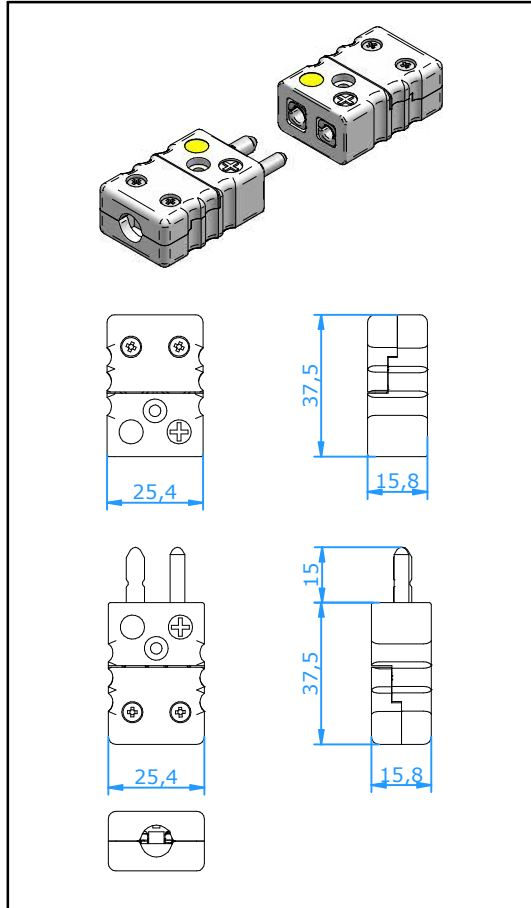




# Connectors

## Standard Connector Ceramic



### Application

Connector for thermocouple and RTD circuits. Solid pin design ensures good contact even in demanding applications. Hollow pin design offers a good quality product at competitive pricing for less frequently used connectors.

### Construction

- Ceramic body with original thermocouple material pins and springloaded inserts.
- Polarized pins ensure proper connection.
- Oversize terminal screw head for easy wiring
- One body design.
- High purity alumina body material.

### Wire size

- Accepts wires up to 1,6 mm.
- Maximum cable diameter 8,0 mm.

### Temperature rating

- 650 °C Max.

### Color Code

- Body color white with color dot.

### Accessories

- See separate specification sheet.

**Ordering Code** Plug Solid Pin : **CSPC-x**      x = Calibration Code (See table below)  
 Plug Hollow Pin: **CSPCL-x**  
 Jack : **CSJC-x**

Calibration Code	<b>E</b>	<b>J</b>	<b>K</b>	<b>N</b>	<b>T</b>	<b>U</b>	<b>R/S</b>	<b>C</b>	<b>B</b>
Compensation material for Material Positive	NiCr	Fe	NiCr	NiCrSi	Cu	Cu <sup>1)</sup>	Pt13Rh/ Pt	W5Re/ W26Re	Pt6Rh/ Pt30Rh
Material Negative	CuNi	CuNi	NiAl	NiSi	CuNi	Cu <sup>1)</sup>	Cu Alloy #11	CPX CNX	Cu <sup>1)</sup> Cu <sup>1)</sup>
<b>IEC Color Code</b>									
Color Dot	Violet	Black	Green	Pink	Brown	White	Orange	Red	Grey
Code	<b>EI</b>	<b>JI</b>	<b>KI</b>	<b>NI</b>	<b>TI</b>	<b>UI</b>	<b>RI</b>	<b>C<sup>2)</sup></b>	<b>BI</b>
<b>ANSI Color Code</b>									
Color Dot	Violet	Black	Yellow	Orange	Blue	White	Green	Red	Grey
Code	<b>EI</b>	<b>JI</b>	<b>KA</b>	<b>NA</b>	<b>TA</b>	<b>UI</b>	<b>RA</b>	<b>C<sup>2)</sup></b>	<b>BI</b>
<b>DIN Color Code</b>									
Color Dot		Blue	Green		Brown		White		Grey
Code		<b>JD</b>	<b>KI</b>		<b>TI</b>		<b>RD</b>		<b>BI</b>

Note: - Contacts with a hard nickel- or gold-plating are available, please add "NP" or "GP" after the calibration code  
 - Type C connector plug is only available in a Solid pin version

