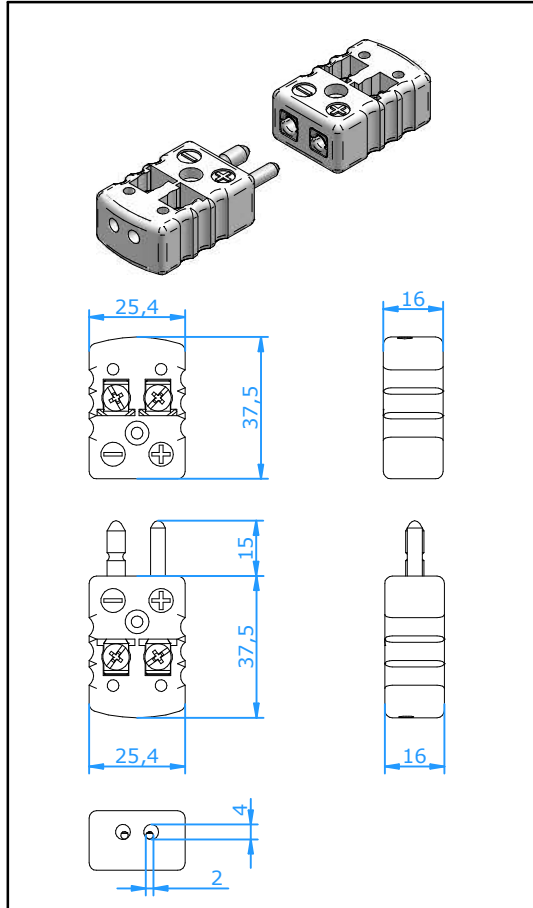




Connectors

Connector Standard Ceramic Jab-in



Application

Connector for thermocouple and RTD circuits. Allows easy connection without need for cover removal. Solid pin design ensures good contact even in demanding applications. Hollow pin design offers a good quality product at competitive pricing for less frequently used connectors.

Construction

- Ceramic body with original thermocouple material pins and springloaded inserts.
- Rugged one body design
- Polarized pins
- Easy wire connection through sandwich construction
- Molded barriers prevent short circuit
- High purity alumina body material

Wire size

- Accepts wires up to 1,6 mm.

Temperature rating

- 650 °C Max.

Color Code

- Body color white with color dot. Body without colour dot available on request.

Accessories

- Wire clamp bracket, see separate specification sheet.

Ordering Code Plug Solid Pin : CSPCQ-xx
 Plug Hollow Pin: CSPCQL-xx
 Jack : CSJQ-xx

For last two digits 'xx' see table below

| | | | | | | | | | |
|---------------------------|-----------|-----------|-----------|-----------|-----------|------------------|---------------|-----------------------|------------------|
| Calibration Code | E | J | K | N | T | U | R/S | C | B |
| Compensation material for | | | | | | | Pt13Rh/ Pt | W5Re/ W26Re | Pt6Rh/ Pt30Rh |
| Material Positive | NiCr | Fe | NiCr | NiCrSi | Cu | Cu ¹⁾ | Cu | CPX | Cu ¹⁾ |
| Material Negative | CuNi | CuNi | NiAl | NiSi | CuNi | Cu ¹⁾ | Alloy #11 | CNX | Cu ¹⁾ |
| IEC Color Code | | | | | | | | | |
| Color Dot | Violet | Black | Green | Pink | Brown | White | Orange | Red | Grey |
| Code | EI | JI | KI | NI | TI | UI | RI | C²⁾ | BI |
| ANSI Color Code | | | | | | | | | |
| Color Dot | Violet | Black | Yellow | Orange | Blue | White | Green | Red | Grey |
| Code | EI | JI | KA | NA | TA | UI | RA | C²⁾ | BI |
| DIN Color Code | | | | | | | | | |
| Color Dot | | Blue | Green | | Brown | | White | | Grey |
| Code | | JD | KI | | TI | | RD | | BI |

Note: - Contacts with a hard nickel- or gold-plating are available, please add "NP" or "GP" after the calibration code
 - Type C connector plug is only available in a Solid pin version

