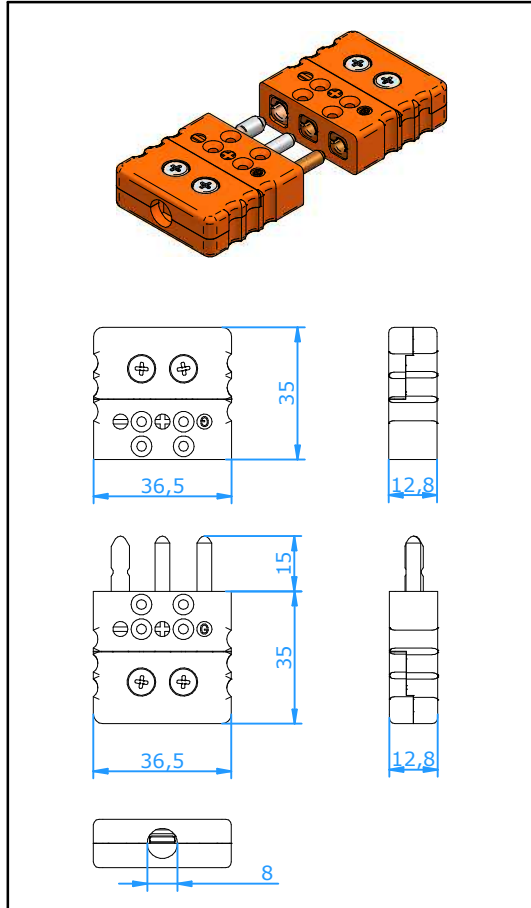




# Connectors

## Connector Standard Three Pin



### Application

Connector for thermocouple and RTD circuits. Third contact for ground or continuous shield or for three wire RTD's. Solid pin design ensures good contact even in demanding applications. Hollow pin design offers a good quality product at competitive pricing for less frequently used connectors.

### Construction

- Glass filled thermoplastic body with original thermocouple material pins and springloaded inserts.
- Polarized pins.
- Central cover screw design for quick wiring.
- Molded barriers prevent short circuit.
- Captive cover screw for easy assembly.

### Wire size

- Accepts wires up to 1,6 mm.
- Maximum cable diameter 8,0 mm.

### Temperature rating

- 220 °C Max.

### Color Code

- Available in all color code standards. Incl. NFE, BS, JIS, etc.

### Accessories

- Most accessories for the standard connector can be fitted. See separate specification sheet.

**Ordering Code** Plug Solid Pin :  
 Plug Hollow Pin:  
 Jack :

**CSPT-xx**  
**CSPTL-xx**  
**CSJT-xx**

For last two digits 'xx' see table below

Calibration Code	<b>E</b>	<b>J</b>	<b>K</b>	<b>N</b>	<b>T</b>	<b>U</b>	<b>R/S</b>	<b>C</b>	<b>B</b>
Compensation material for Material Positive	NiCr	Fe	NiCr	NiCrSi	Cu	Cu	Pt13Rh/ Pt	W5Re/ W26Re	Pt6Rh/ Pt30Rh
Material Negative	CuNi	CuNi	NiAl	NiSi	CuNi	Cu	Cu Alloy #11	CPX CNX	Cu Cu
<b>IEC Color Code</b>									
Color Body	Violet	Black	Green	Pink	Brown	White	Orange	Red	Grey
Code	<b>EI</b>	<b>JI</b>	<b>KI</b>	<b>NI</b>	<b>TI</b>	<b>UI</b>	<b>RI</b>	<b>C</b>	<b>BI</b>
<b>ANSI Color Code</b>									
Color Body	Violet	Black	Yellow	Orange	Blue	White	Green	Red	Grey
Code	<b>EI</b>	<b>JI</b>	<b>KA</b>	<b>NA</b>	<b>TA</b>	<b>UI</b>	<b>RA</b>	<b>C</b>	<b>BI</b>
<b>DIN Color Code</b>									
Color Body		Blue	Green		Brown		White		Grey
Code		<b>JD</b>	<b>KI</b>		<b>TI</b>		<b>RD</b>		<b>BI</b>