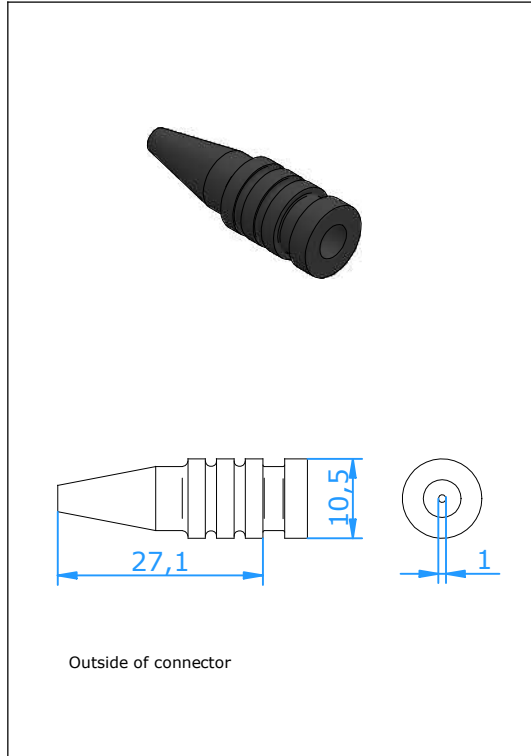




Accessories

Standard Connector Bending Protection



Application

Bending protection for thermocouples and wire being used with standard connectors. Prevents mechanical damage of wires at entrance point of the connector.

Construction

- Silicon rubber insert, tapered entrance hole ensures proper sealing on cable
- Fits in all standard connectors

Temperature Rating

- 200 °C

Part Nr . 20.294