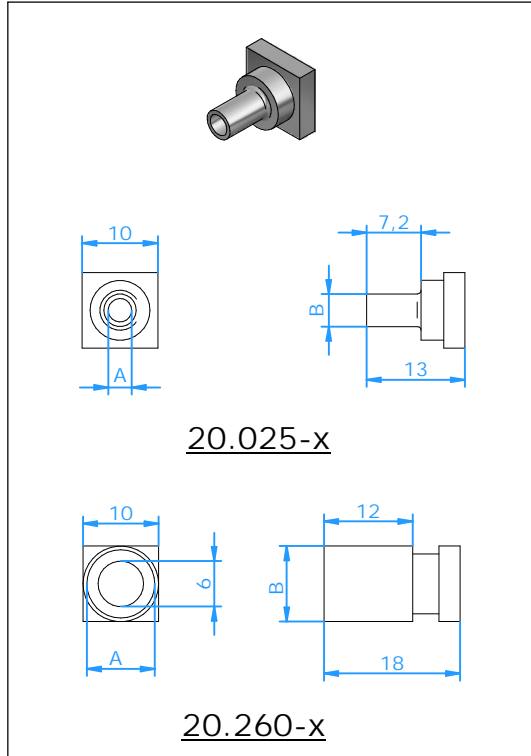




# Accessories

## Standard Connector Crimp-insert



### Application

Crimp-insert can be fitted in the entrance hole of the connector. Designed for soldering or crimping on mineral insulated cable or crimping on insulated wire.

### Construction

Brass machined, nickel plated insert with 0,1 mm tolerance on the cable OD. The adapter fits in all standard connectors.

Part Nr.	A	B
<u>20.025-1</u>	<u>1,10 mm</u>	<u>2,40 mm</u>
<u>20.025-2</u>	<u>1,60 mm</u>	<u>2,40 mm</u>
<u>20.025-3</u>	<u>1,70 mm</u>	<u>2,40 mm</u>
<u>20.025-4</u>	<u>2,10 mm</u>	<u>3,20 mm</u>
<u>20.025-5</u>	<u>2,40 mm</u>	<u>3,20 mm</u>
<u>20.025-6</u>	<u>3,10 mm</u>	<u>4,30 mm</u>
<u>20.025-7</u>	<u>3,30 mm</u>	<u>4,30 mm</u>
<u>20.025-8</u>	<u>4,60 mm</u>	<u>6,00 mm</u>
<u>20.025-9</u>	<u>4,90 mm</u>	<u>6,00 mm</u>
<u>20.025-10</u>	<u>6,10 mm</u>	<u>7,90 mm</u>
<u>20.025-11</u>	<u>6,50 mm</u>	<u>7,90 mm</u>
<u>20.025-12</u>	<u>0,00 mm</u>	<u>7,90 mm</u>
<u>20.025-13</u>	<u>5,60 mm</u>	<u>6,50 mm</u>
<u>20.025-14</u>	<u>7,00 mm</u>	<u>7,90 mm</u>
<u>20.025-16</u>	<u>4,10 mm</u>	<u>6,00 mm</u>

20.260-1	9,00 mm	10,00 mm
20.260-2	8,10 mm	9,00 mm