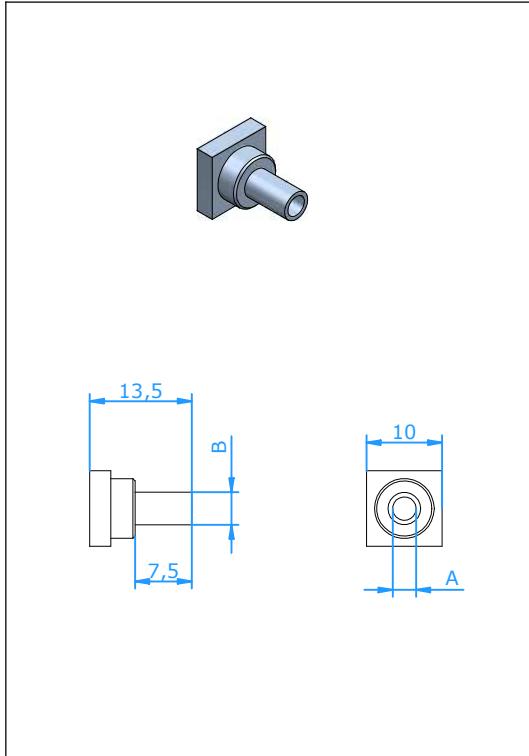




Accessories

Standard Connector Braze/Crimp adapter



Application

Adapter can be fitted in the entrance hole of the connector to braze/crimp in mineral isolated cable.

Construction

Stainless steel adapter, AISI-303 / DIN-1.4305

The adapter fits in all standard connectors.

Partnr.	A	B
20332-1	1.10 mm	2.40 mm
20332-2	1.60 mm	2.40 mm
20332-3	1.70 mm	2.40 mm
20332-4	2.10 mm	3.20 mm
20332-5	2.40 mm	3.20 mm
20332-6	3.10 mm	4.30 mm
20332-7	3.30 mm	4.30 mm
20332-8	4.60 mm	6.00 mm
20332-9	4.90 mm	6.00 mm
20332-10	6.10 mm	7.90 mm
20332-11	6.50 mm	7.90 mm
20332-14	7.00 mm	7.90 mm