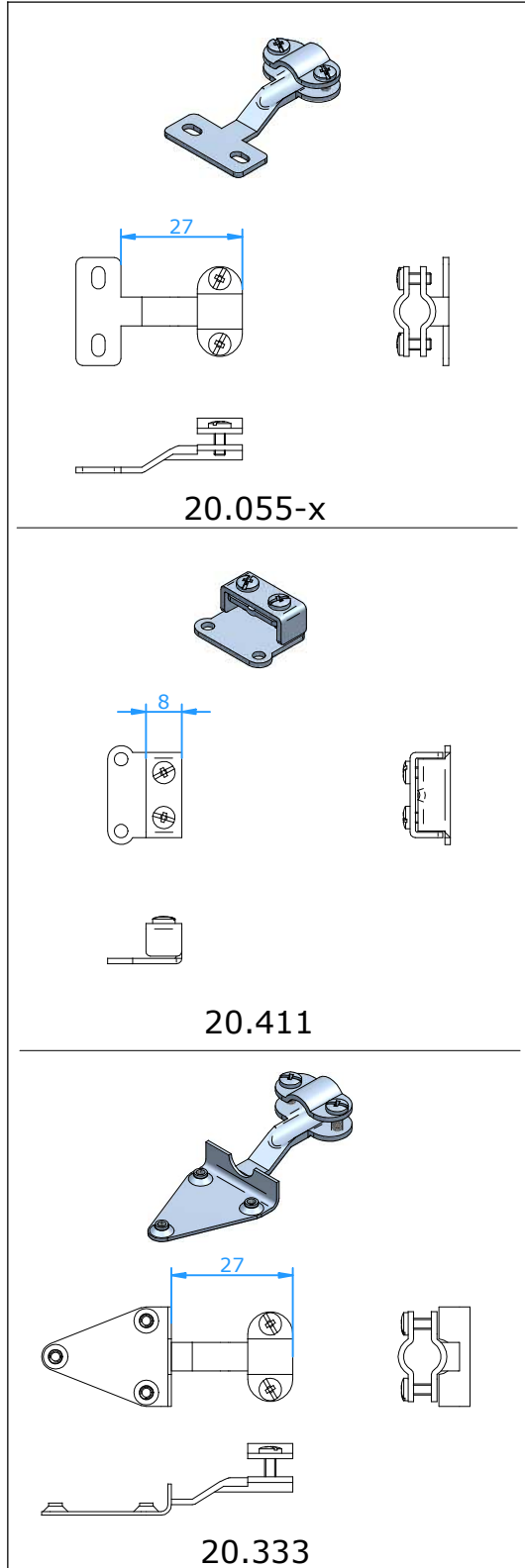




# Accessories

## Standard Connector Wire Clamp Bracket



### Application

Wire clamp bracket will provide optimum strain relief. Construction allows a large difference in maximum and minimum wire diameter. Compact version designed especially to be used with small wire diameters.

### Construction

All stainless steel, incl stainless steel screws

### Part Nr.

#### 20.055-1 standard connector

fits on all connectors CSP(L), CSJ, CSPH(L), CSJH, CSPQ(L), CSJQ, CSPT(L) and CSJT

#### 20.055-2 standard connector ceramic

fits on all connectors CSPC(L), CSJC

#### 20.055-5 standard connector duplex

fits on all connectors CSPD(L), CSJD

#### 20.055-6 standard connector ceramic quick connect

fits on all connectors CSPCQ(L), CSJCQ

#### wire size for 20.055-X

4,5 – 7,5 mm

#### 20.411 standard connector (Compact version)

fits on all connectors CSP(L), CSJ, CSPH(L), CSJH, CSPQ(L), CSJQ, CSPT(L) and CSJT

#### wire size for 20.411

0,5 – 4,0 mm

#### 20.333 standard connector ultra high temp

fits on all connectors CSPU(L), CSJU

#### wire size for 20.333

4,5 – 7,5 mm