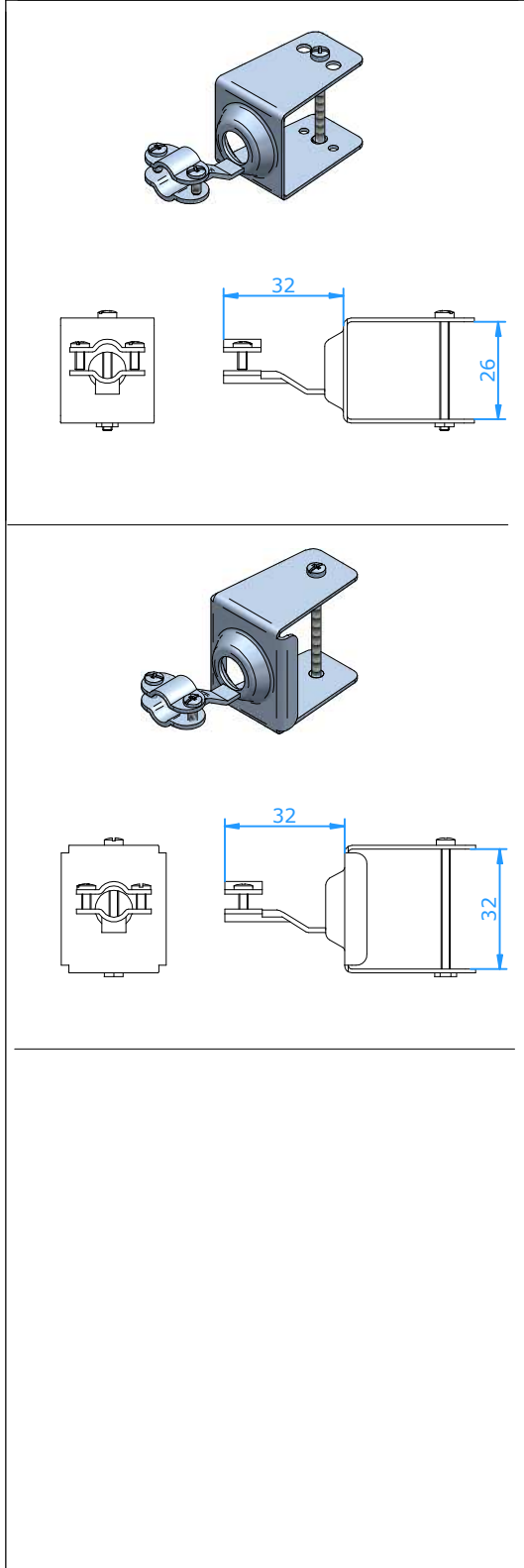




Accessories

Standard Connector U-Bracket Wire Clamp



Application

Allows the use of two standard connectors to be fitted on duplex wire. Construction provides optimum strainrelief and large difference in minimum and maximum diameter.

Construction

All stainless steel incl. stainless steel screws.

Standard Connector

Part Nr. 20.191

This bracket fits on all connectors CSP(L), CSJ, CSPH(L), CSJH, CSPU(L) and CSJU.

Standard Connector Ceramic

Part Nr. 20.341

This bracket fits on all connectors CSPC(L), CSJC.