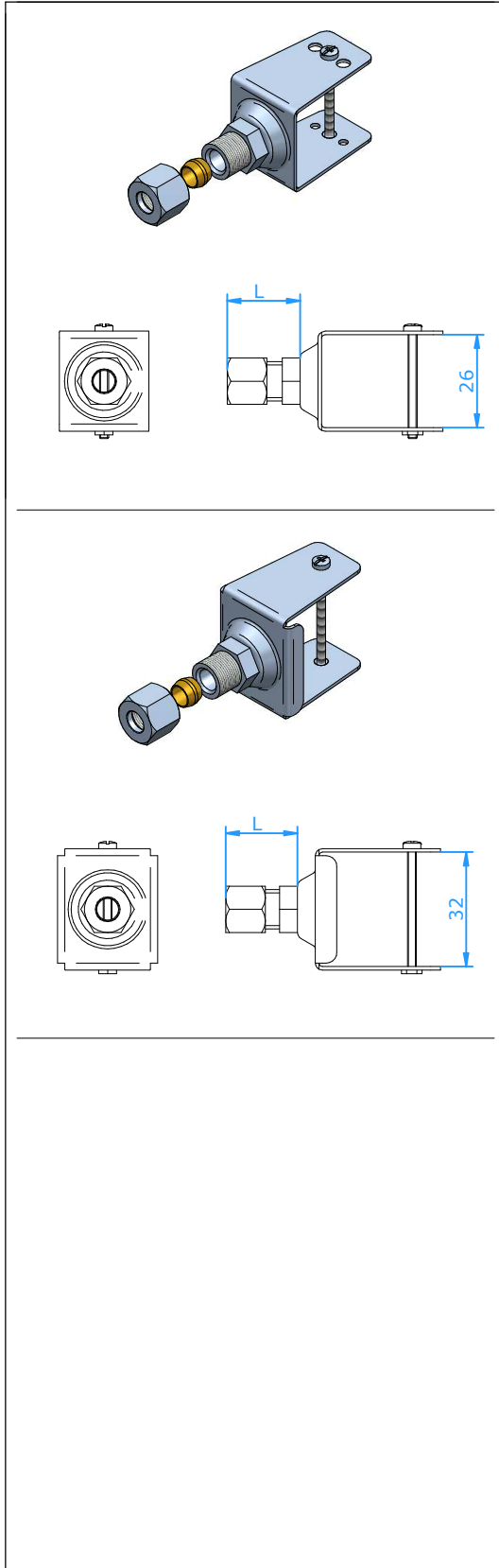




Accessories

Standard Connector U Bracket Tube Adapter



Application

Can be used to mount two standard connectors on mineral insulated cable or a tube type thermocouple. Can be used several times if not overtightened.

Construction

Stainless steel compression fitting with a brass ferrule on stainless steel bracket

Standard Connector

Part Nr.	Diameter	Dim. L	Wrench size
20.117-1	1,7 mm - 1/16"	+/- 19 mm	Hex 10 mm
20.117-2	3,3 mm - 1/8"	+/- 20 mm	Hex 10 mm
20.117-3	4,9 mm - 3/16"	+/- 23 mm	Hex 13 mm
20.117-4	6,5 mm - 1/4"	+/- 24 mm	Hex 13 mm
20.117-5	8,1 mm - 5/16"	+/- 25 mm	Hex 16 mm
20.117-6	6,0 mm	+/- 24 mm	Hex 13 mm
20.117-7	9,7 mm - 3/8"	+/- 26 mm	Hex 16 mm

This tube adapter fits on all connectors CSP(L), CSJ, CSPH(L), CSJH, CSPU(L), CSJU.

Standard Connector Ceramic

Part Nr.	Diameter	Wrench size
20.342-1	1,7 mm - 1/16"	Hex 10 mm
20.342-2	3,3 mm - 1/8"	Hex 10 mm
20.342-3	4,9 mm - 3/16"	Hex 13 mm
20.342-4	6,5 mm - 1/4"	Hex 13 mm
20.342-6	6,0 mm	Hex 13 mm

This tube adapter fits on all connectors CSPC(L), CSJC.